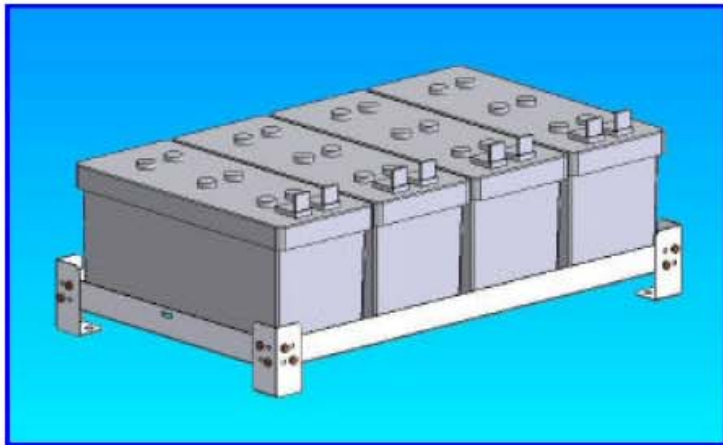


Knock-Down Battery Racks

Knock-Down Battery Racks include hardware for quick assembly. These economical battery racks will reduce your shipping costs by shipping UPS, with one rack per carton. For added stability and safety, holes are included on the bottom of the feet for the option of bolting down to the floor or a concrete pad. Optional covers are available for either partial or complete covering of the Rack, optional colors can be specified, call for availability and pricing.



KDR-44D - holds (4) 4D Batteries or (3) 8D Batteries



KDR-88D holds (8) 8D Batteries or (10) 4D Batteries.

Model	W X L X H (in.)
KDR-44D P/N. 61-2004-000 One Shelf (4) 4D Batts <i>or</i> (3) 8D Batts	22 x 36 x 5
KDR-88D P/N. 61-2008-000 Two Shelves (8) 8D Batts <i>or</i> (10) 4D Batts.	22 x 46 x 18
KDR-8G27-S P/N. TBD Two Shelves (8) G27 / G31 Batts.	Coming Soon!
KDR-8G27-T P/N. TBD Two Shelves (8) G27 / G31 Batts.	Coming Soon!
KDR-4L16 P/N. TBD One Shelf (4) L16 type Batts	Coming Soon!

Standard Features

- Safely holds Group 27/31, 4D & 8D batteries for any system.
- All models ship disassembled and include hardware.
- Finish is white powder coated steel.
- Legs bolt to any floor for added security and safety.
- **All Models Can Ship UPS.**